

Note.
Standard nut M4 = 8 pcs.
Lock washer M4 = 8 pcs
put it in a separate zip bag in the package



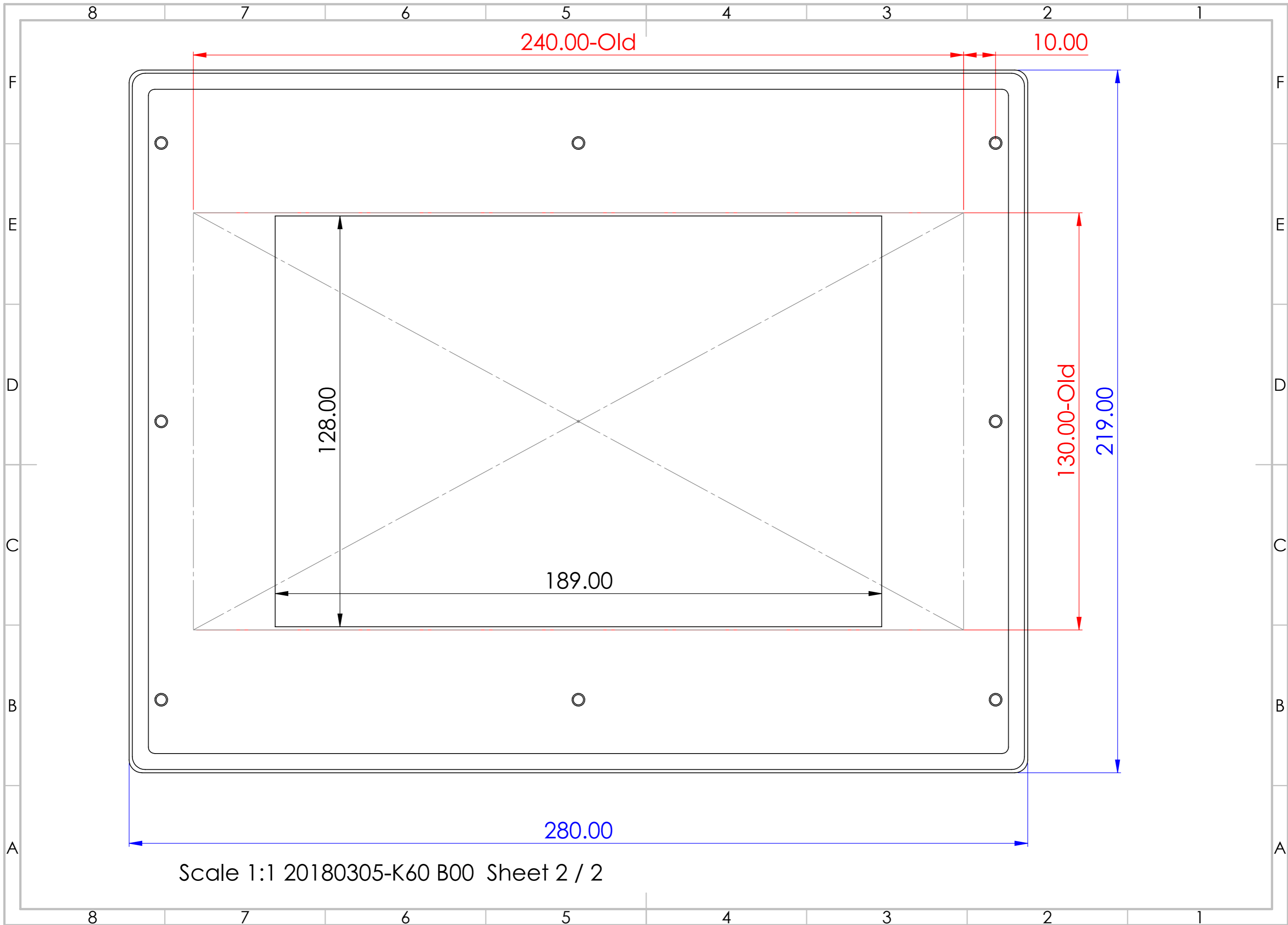
Scale 1:1
Please see page. 2 / 2

Sheet 1 / 2

ITEM NO.	PART NUMBER	DESCRIPTION	QTY.
1	EXTER K60	EG=2.0t mm.	1
2	PEM FH-M4-12 X--N		8
3	Gasket K60	T=2.0 mm.	1
4	1700000030	Nut M4	8
5	1721480160	Lock Washer M4	8
6	2200000504	Powder paint interpon 610 silver fine texture	0.01

All dimensions are in millimeter.

<p>GPV Asia (Thailand) Co., Ltd. 8th Floor, 8 Ranggoon Road, Bangna Suburb, Bangkok 10700, Thailand Tel: +66 (0) 2709 2550 Fax: +66 (0) 2709 2564</p>		<p>MATERIAL: -</p>		<p>THIS DRAWING REMAINS THE EXCLUSIVE PROPERTY OF THE GPV GROUP. IT SHALL NOT BE COPIED, REPRODUCED, DISCLOSED IN PART OR IN WHOLE, OR OTHERWISE MADE AVAILABLE TO THIRD PARTY WITHOUT OUR PREVIOUS WRITTEN CONSENT.</p>	
<p>SURFACE TREATMENT:</p>		<p>CUSTOMER: Beijer</p>		<p>Surface: mm² Weight: g.</p>	
<p>CUSTOMER/NO.:</p>		<p>DESCRIPTION: Adaptor plate from K60/E1060/E1062 to X2 pro 7</p>		<p>SCALE: 1:1</p>	
<p>DATE RELEASED: _____</p>		<p>GPV ITEM NO.: 20180305-K60 B00</p>		<p>CHECKED Q/C: _____ DATE: _____</p>	
<p>PROJECT NO.:</p>		<p>PROJECT NO.:</p>		<p>A3</p>	



Scale 1:1 20180305-K60 B00 Sheet 2 / 2